

# TL-6011

0.74 kN Side Mount

## Simply Minimal.

The TL-6011 U-profile is the intelligent solution for simple installations without screed onto steel or concrete. The profile can be used both in interior and exterior applications, withstands a linear load of 0.74 kN and is suitable for glass thicknesses between 12 mm and 21.52 mm.

## Essential Features

- | Slimline, elegant design and low-maintenance
- | **ONLEVEL FLEXFIT** Glass Adjustment Tool
- | Extension pin holes
- | Drainage holes
- | Top Cover (optional)
- | Cover cap (optional)
- | Integrated multifunctional sophisticated chamber
- | For glass thicknesses between 12 - 21.52 mm

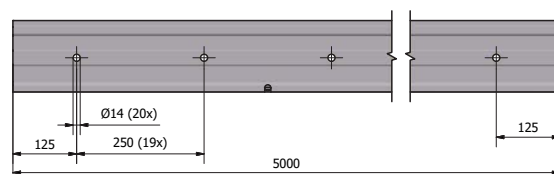
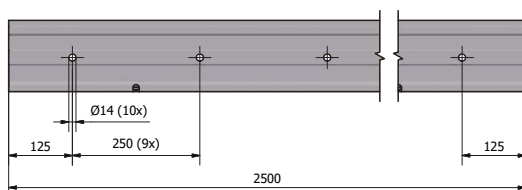
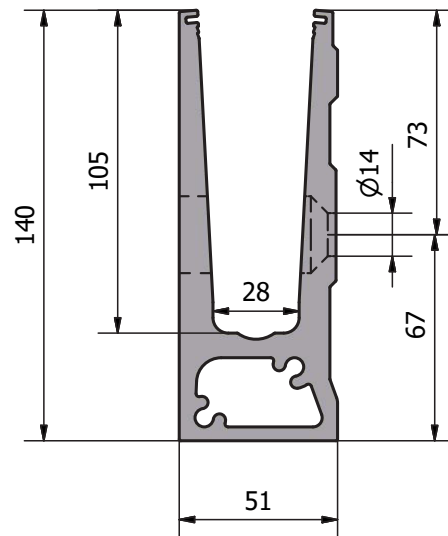
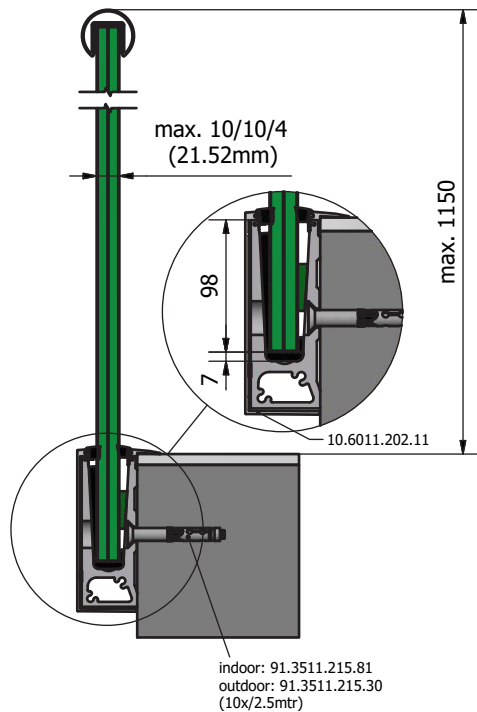


**bimobject**® CAD IN EVERY FORMAT

TESTED  
according to  
BS6180

CE EN 1090-1  
EN 1090-3  
EXC 3

riba  
product  
selector





For simple installation without  
screed onto steel or concrete



Side mount

Integrated multifunctional  
sophisticated chamber for  
enabling larger drilling distances



# TL-6011 | 0.74 KN SIDE MOUNT

## Glass profile



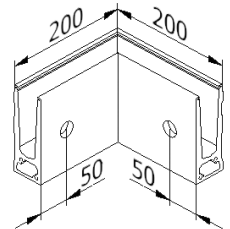
- | Height: 140 mm
- | Width 51 mm
- | Sales unit: 1 piece

Model 6011	Mill finish	Plain aluminium	RAL coloured
Length	Art. no.	Art. no.	Art. no.
2500	-	10.6011.002.11	-
5000	10.6011.005.10	10.6011.005.11	10.6011.005.13/16/18

## Inside corner 90°



- | Side length inside: 149 mm
- | Side length outside: 200 mm
- | Sales unit: 1 piece

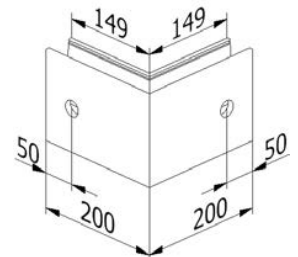


Model 6011	Mill finish	Plain aluminium	RAL coloured
	Art. no.	Art. no.	Art. no.
	10.6011.300.10	10.6011.300.11	10.6011.300.13/16/18

## Outside corner 90°



- | Side length inside: 149 mm
- | Side length outside: 200 mm
- | Sales unit: 1 piece



Model 6011	Mill finish	Plain aluminium	RAL coloured
	Art. no.	Art. no.	Art. no.
	10.6011.350.10	10.6011.350.11	10.6011.350.13/16/18

## Cover strip



- | With mounting strips
- | For use with a cover cap, end caps must be ordered separately.
- | Sales unit: 1 piece

Model 6011	Mill finish	Plain aluminium	RAL coloured
Length	Art. no.	Art. no.	Art. no.
2500	-	10.6011.202.11	-
5000	10.6011.205.10	10.6011.205.11	10.6011.205.13/16/18

# TL-6011 | 0.74 KN SIDE MOUNT

## Blanking plug



| Required number per 2500 mm: 10 pieces  
| Sales unit: 10 pieces

Model 7000		Plastic
Colour	Diameter	Art. no.
white	25 mm	90.7000.025.40
black	25 mm	90.7000.025.41
grey	25 mm	90.7000.025.45

## End cap without cover strip, left



| For use on the left  
| Sales unit: 1 piece

Model 6011	Mill finish	Plain aluminium	RAL coloured
Application	Art. no.	Art. no.	Art. no.
left	10.6011.400.10	10.6011.400.11	10.6011.400.13/16/18

## End cap without cover strip, right



| For use on the right  
| Sales unit: 1 piece

Model 6011	Mill finish	Plain aluminium	RAL coloured
Application	Art. no.	Art. no.	Art. no.
right	10.6011.450.10	10.6011.450.11	10.6011.450.13/16/18

## End cap without cover strip, left staircase



| For use on the left  
| can be cut to size  
| Sales unit: 1 piece

Model 6011	Mill finish	Plain aluminium	RAL coloured
Application	Art. no.	Art. no.	Art. no.
left	10.6011.401.10	10.6011.401.11	10.6011.401.13/16/18

# TL-6011 | 0.74 KN SIDE MOUNT

## End cap without cover strip, right staircase



- | For use on the right
- | can be cut to size
- | Sales unit: 1 piece

Model 6011	Mill finish	Plain aluminium	RAL coloured
Application	Art. no.	Art. no.	Art. no.
right	10.6011.451.10	10.6011.451.11	10.6011.451.13/16/18

## End cap with cover strip, left



- | For use on the left
- | Sales unit: 1 piece

Model 6011	Mill finish	Plain aluminium	RAL coloured
Application	Art. no.	Art. no.	Art. no.
left	10.6011.410.10	10.6011.410.11	10.6011.410.13/16/18

## End cap with cover strip, right



- | For use on the right
- | Sales unit: 1 piece

Model 6011	Mill finish	Plain aluminium	RAL coloured
Application	Art. no.	Art. no.	Art. no.
right	10.6011.460.10	10.6011.460.11	10.6011.460.13/16/18

## End cap for staircase with cover strip, left



- | For use on the left
- | can be cut to size
- | Sales unit: 1 piece

Model 6011	Mill finish	Plain aluminium	RAL coloured
Application	Art. no.	Art. no.	Art. no.
left	10.6011.411.10	10.6011.411.11	10.6011.411.13/16/18

# TL-6011 | 0.74 KN SIDE MOUNT

## End cap for staircase with cover strip, right



- | For use on the right
- | can be cut to size
- | Sales unit: 1 piece

Model 6011	Mill finish	Plain aluminium	RAL coloured
Application	Art. no.	Art. no.	Art. no.
right	10.6011.461.10	10.6011.461.11	10.6011.461.13/16/18

## Spacer



You do not have any drainage options on your balcony?!  
So that you do not need to install a dam on your balcony, you can simply mount the spacers behind your profile.

- | Required number per 2500 mm: 10 pieces
- | Inner drill hole: Ø 14 mm
- | Sales unit: 10 pieces

Model 6011	Mill finish	Plain aluminium	RAL coloured
	Art. no.	Art. no.	Art. no.
	10.6011.500.10	10.6011.500.11	10.6011.500.13/16/18

## Extension pin



- | Length: 40 mm
- | Diameter: Ø 6 mm
- | Sales unit: 8 pieces

Model 7001	V4A (inside & outside)
	Art. no.
	90.7001.640.31

## Fischer fixing anchor FH II 12/15 SK



- | Finish interior application: zinc-plated steel (inside)
- | Finish exterior application: V4A (exterior)
- | Required number per 2500 mm: 10 pieces
- | Sales unit: 25 pieces

Model 3511	zinc-plated steel (inside)	V4A (exterior)
	Art. no.	Art. no.
	91.3511.215.81	91.3511.215.30

# TL-6011 | 0.74 KN SIDE MOUNT

## Fixing anchor steel



- | Finish interior application: zinc-plated steel (inside)
- | Finish exterior application: V4A (exterior)
- | Required number per 2500 mm: 10 pieces
- | M10 x 40mm
- | Sales unit: 10 pieces

Model 6011	zinc-plated steel (inside)	V4A (exterior)
	Art. no.	Art. no.
	91.6011.040.81	91.6011.040.30

## Rampa fixing anchor for wood



- | Finish interior application: zinc-plated steel (inside)
- | Required number per 2500 mm: 10 pieces
- | M12
- | Sales unit: 10 pieces

Model 3011	zinc-plated steel (inside)
	Art. no.
	91.6011.800.81

## FLEXFIT 1.0 kN



- | Fine adjustment of glass panes
- | For glass thicknesses between 12 - 21.52 mm
- | Adjustment of up to 34 mm in relation to the vertical axis
- | Pay attention to the right glass thickness!

Length		2500 mm	5000 mm	25 mtr
Glass thickness	Wedge colour	Art. no.	Art. no.	Art. no.
12 mm	black	90.0502.112.00	90.0505.112.00	90.0525.112.00
6/6/2 (12.76 mm)	red	90.0502.113.00	90.0505.113.00	90.0525.113.00
6/6/4 (13.52 mm)	grey	90.0502.114.00	90.0505.114.00	90.0525.114.00
15 mm	yellow	90.0502.115.00	90.0505.115.00	90.0525.115.00
<b>8/8/2 (16.76 mm)</b>	brown	90.0502.117.00	90.0505.117.00	90.0525.117.00
<b>8/8/4 (17.52 mm)</b>	green	90.0502.118.00	90.0505.118.00	90.0525.118.00
19 mm	blue	90.0502.119.00	90.0505.119.00	90.0525.119.00
<b>10/10/2 (20.76 mm)</b>	red	90.0502.121.00	90.0505.121.00	90.0525.121.00
<b>10/10/4 (21.52 mm)</b>	green	90.0502.122.00	90.0505.122.00	90.0525.122.00